

## Gearbox options

### Mounting position

#### Overview

The mounting position must be specified when you place your order to ensure that the gearbox is supplied with the correct quantity of oil.

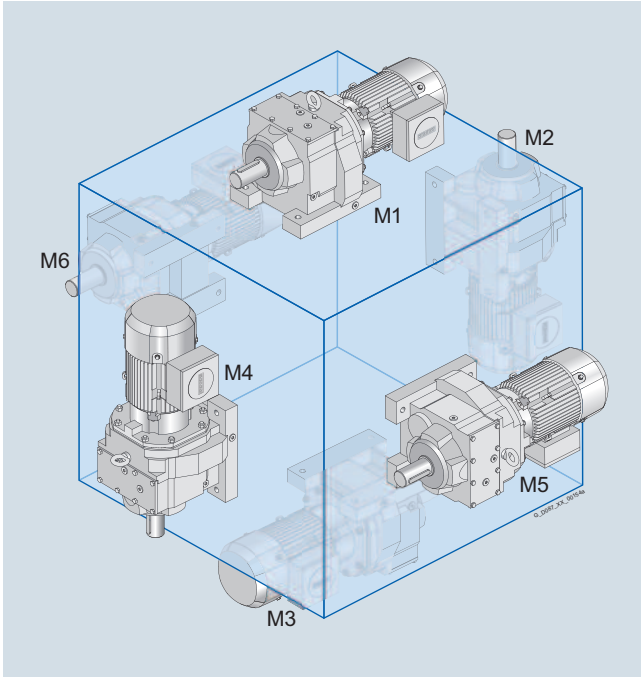


Fig. 10/1 Helical geared motors

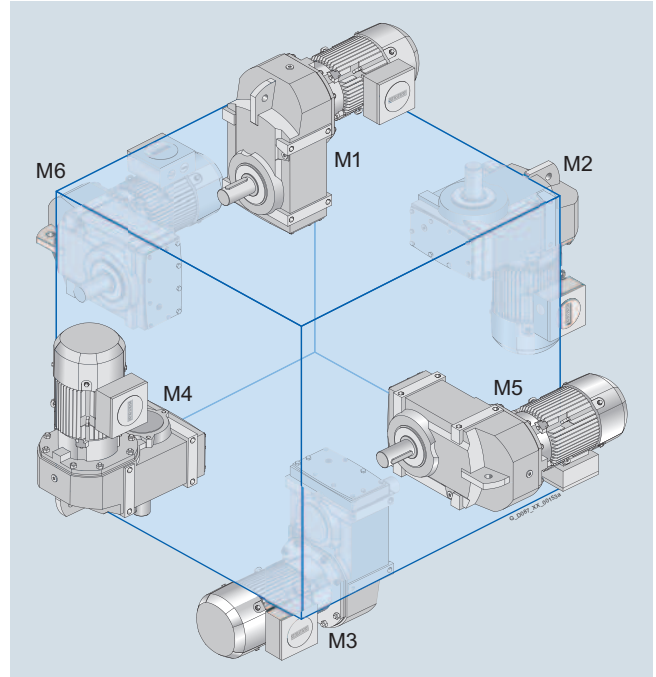


Fig. 10/2 Parallel shaft geared motors

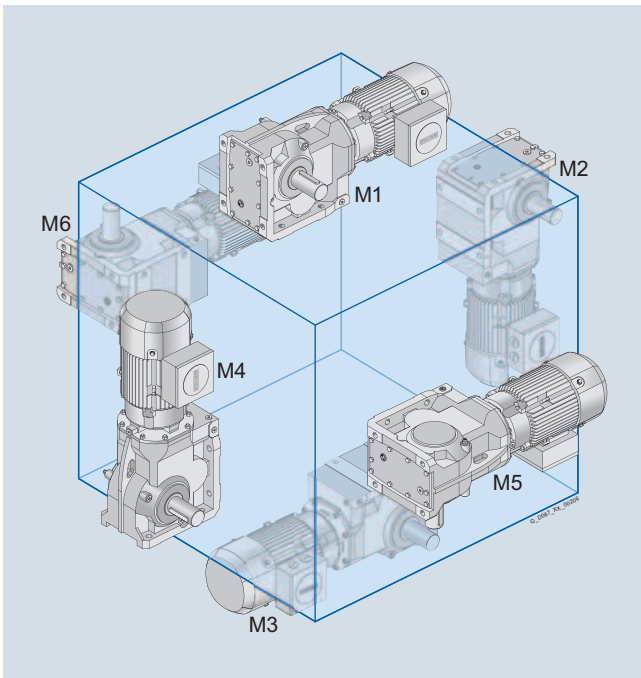


Fig. 10/3 Bevel geared motors

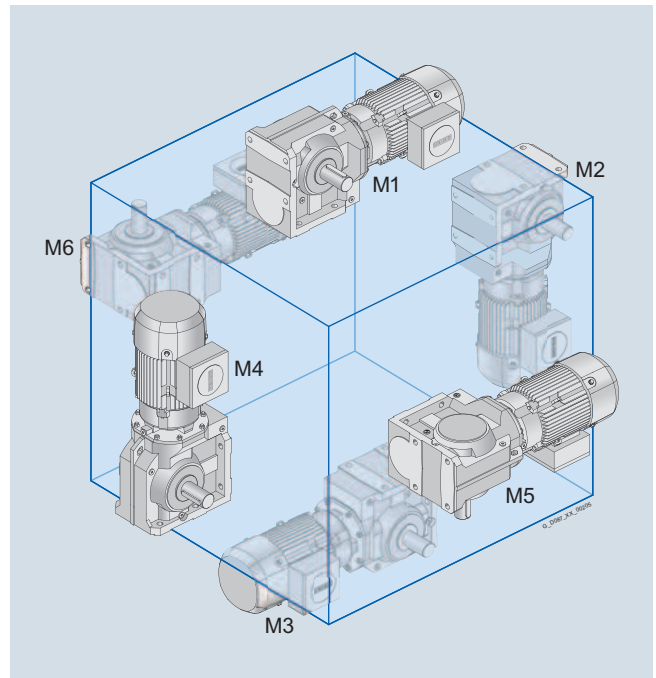


Fig. 10/4 Helical worm geared motors

10